

Dry Disconnect Bayonet Style Adapters

2" and 3" Adapters

2" Stainless Adapter

Bill of Materials

BA3x-200

| Item # | Description | Part # | Qty |
|--------|----------------------------|-------------|-----|
| 1 | stainless body | 40053SS | 1 |
| 2 | brass poppet | 40054BR | 1 |
| 3 | stainless deflector | 40055SS | 1 |
| 4 | stainless spring | 40056SS | 1 |
| 5A | Buna O-ring (for BA31-200) | BA31-200RK1 | 1 |
| 5B | FKM O-ring (for BA32-200) | BA32-200RK1 | 1 |

3" Aluminum Adapter

Bill of Materials

BA6x-300

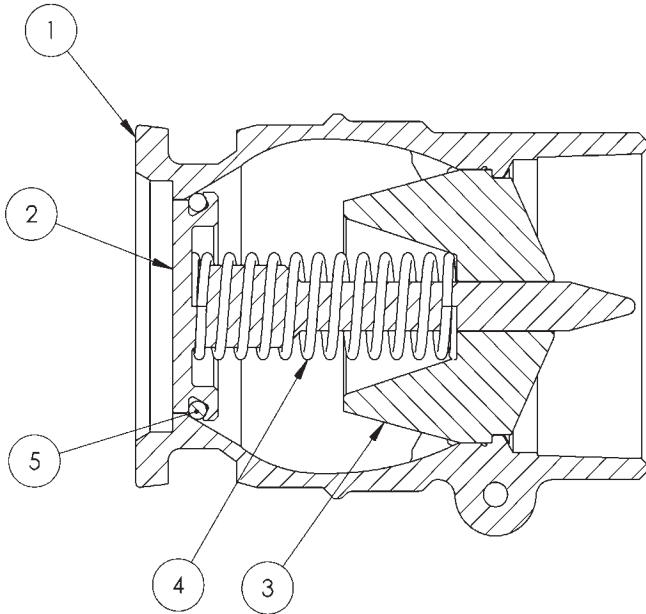
| Item # | Description | Part # | Qty |
|--------|----------------------------|-------------|-----|
| 1 | aluminum body | 40278AL | 1 |
| 2 | aluminum poppet | 40279AL | 1 |
| 3 | aluminum deflector | 40280AL | 1 |
| 4 | SS spring | 40281SS | 1 |
| 5A | Buna O-ring (for BA61-300) | BA31-300RK1 | 1 |
| 5B | FKM O-ring (for BA62-300) | BA32-300RK1 | 1 |

3" Bronze Adapter

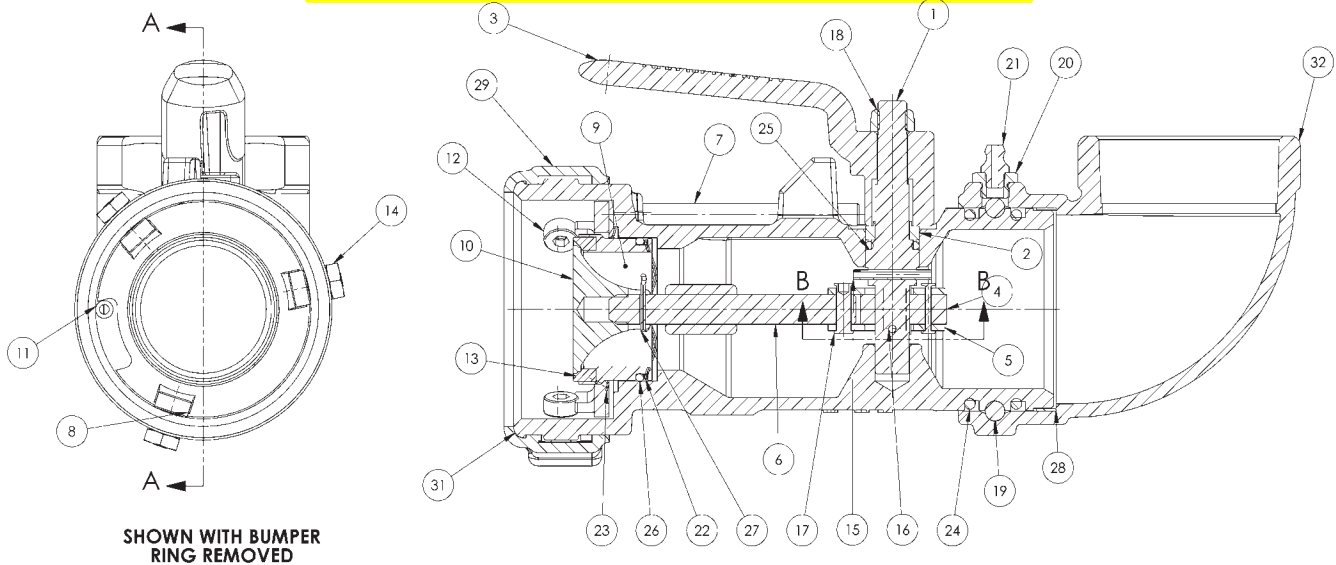
Bill of Materials

BA3x-300

| Item # | Description | Part # | Qty |
|--------|----------------------------|-------------|-----|
| 1 | bronze body | 40278BR | 1 |
| 2 | bronze poppet | 40279BR | 1 |
| 3 | bronze deflector | 40280BR | 1 |
| 4 | SS spring | 40281SS | 1 |
| 5A | Buna O-ring (for BA31-300) | BA31-300RK1 | 1 |
| 5B | FKM O-ring (for BA32-300) | BA32-300RK1 | 1 |



Dry Disconnect Bayonet Style 2" 90° and Straight Swivel Couplers



The 90° swivel coupler (BS series) is illustrated above. The straight swivel coupler (BSS series) uses the same components, except it does not have #21A grease nipple, it utilizes a #21B set screw plug, nor an elbow swivel.

Petroleum Replacement Parts

Bill of Materials BS6x-200 and BSS6x-200

| Item # | Description | Part # | Qty |
|--------|---------------------------|---------|-----|
| 1 | lever shaft | 40138SS | 1 |
| 2 | follower | 40139SS | 1 |
| 3 | lever (handle) | 40140SS | 1 |
| 4 | link | 40141SS | 1 |
| 5 | belt link | 40142SS | 2 |
| 6 | stem | 40143SS | 1 |
| 7 | interlocking pin | 40144SS | 1 |
| 8 | lock rink | 40145SS | 1 |
| 9 | nose piece | 40146HC | 1 |
| 10 | poppet | 40147CA | 1 |
| 11 | coiled pin | 40148SS | 1 |
| 12 | bayonet stud | 40149SS | 3 |
| 13A | Buna nose seal (BS61-200) | 40150BN | 1 |
| 13B | FKM nose seal (BS62-200) | 40150VI | 1 |
| 14 | jam nut | 40151SS | 3 |
| 15 | spring pin | 40152SS | 1 |
| 16 | grooved pin | 40153SS | 1 |
| 17 | rivet | 40154SS | 2 |
| 18 | lock nut | 40155SS | 1 |

Bill of Materials, continued

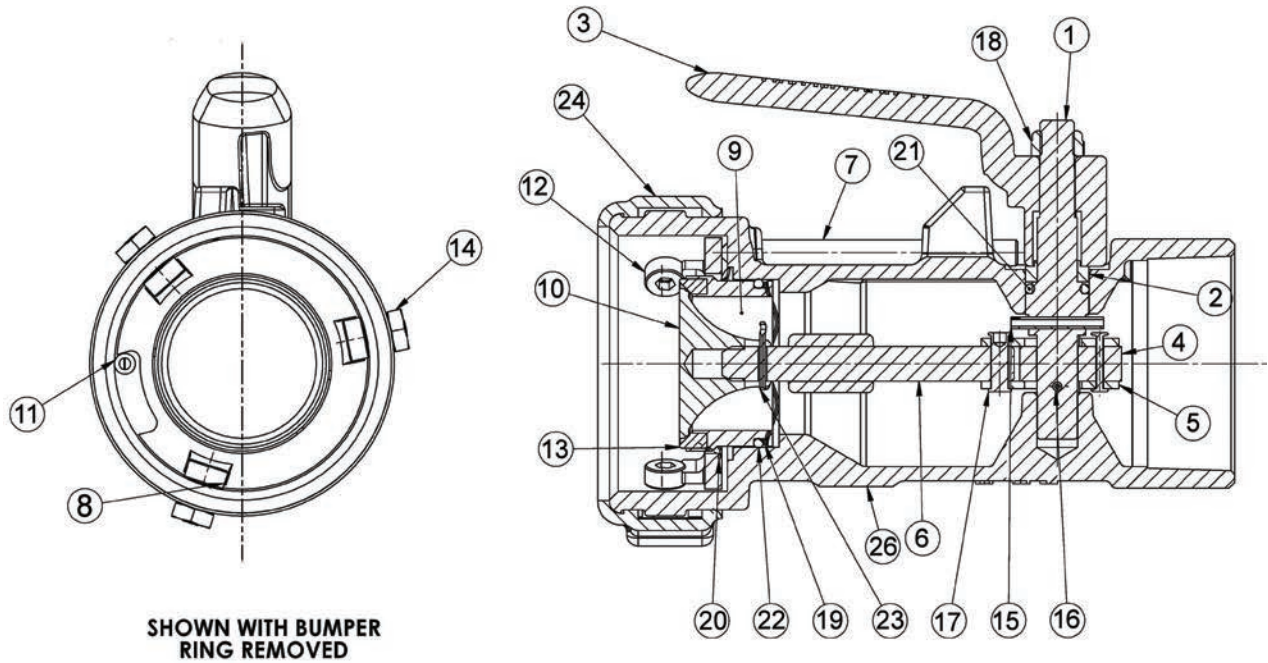
| Item # | Description | Part # | Qty |
|--------|-------------------------------------|---------|-----|
| 19 | ball bearing | 40156SS | 32 |
| 20 | ball plug | 40157BR | 1 |
| 21A | grease fitting (BS6x-200) | 40158ST | 1 |
| 21B | set screw (BSS6x-200) | 40178SS | 1 |
| 22 | wave spring | 40159SS | 2 |
| 23 | wave spring washer | 40160SS | 1 |
| 24A | Buna swivel O-ring (BS & BSS61-200) | 40161BN | 2 |
| 24B | FKM swivel O-ring (BS & BSS62-200) | 40161VT | 2 |
| 25A | Buna stem O-ring (BS & BSS61-200) | 40162BN | 1 |
| 25B | FKM stem O-ring (BS & BSS62-200) | 40162VI | 1 |
| 26A | Buna nose O-ring (BS & BSS61-200) | 40163BN | 1 |
| 26B | FKM nose O-ring (BS & BSS62-200) | 40163VI | 1 |
| 27 | cotter pin | 40164SS | 1 |
| 28 | bearing strip | 40165NY | 1 |
| 29 | bumper ring | 40166VY | 1 |
| 30 | label | 40161AL | 1 |
| 31 | main body | --- | 1 |
| 32 | elbow swivel body | 40105AL | 1 |

Repair Kits

| Part # | Description | Includes Item # |
|--------------------|---|--|
| BS61-200RK1 | Seal repair kit, Buna nose seal, spring pin, grooved pin, Buna swivel O-rings, Buna stem O-ring, Buna nose body O-ring, cotter pin, bearing strip & bumper ring | 13A, 15, 16, 24A, 25A, 26A, 27, 28, 29 |
| BS62-200RK1 | Seal repair kit, FKM nose seal, spring pin, grooved pin, FKM swivel O-rings, FKM stem O-ring, FKM nose body O-ring, cotter pin, bearing strip & bumper ring | 13B, 15, 16, 24B, 25B, 26B, 27, 28, 29 |
| BS61-200RK2 | Swivel seal repair kit, Buna swivel O-rings & bearing strip | 24A, 28 |
| BS62-200RK2 | Swivel seal repair kit, FKM swivel O-rings & bearing strip | 24B, 28 |

Dry Disconnect Bayonet Style Couplers

2" Straight Non-Swiveling Couplers



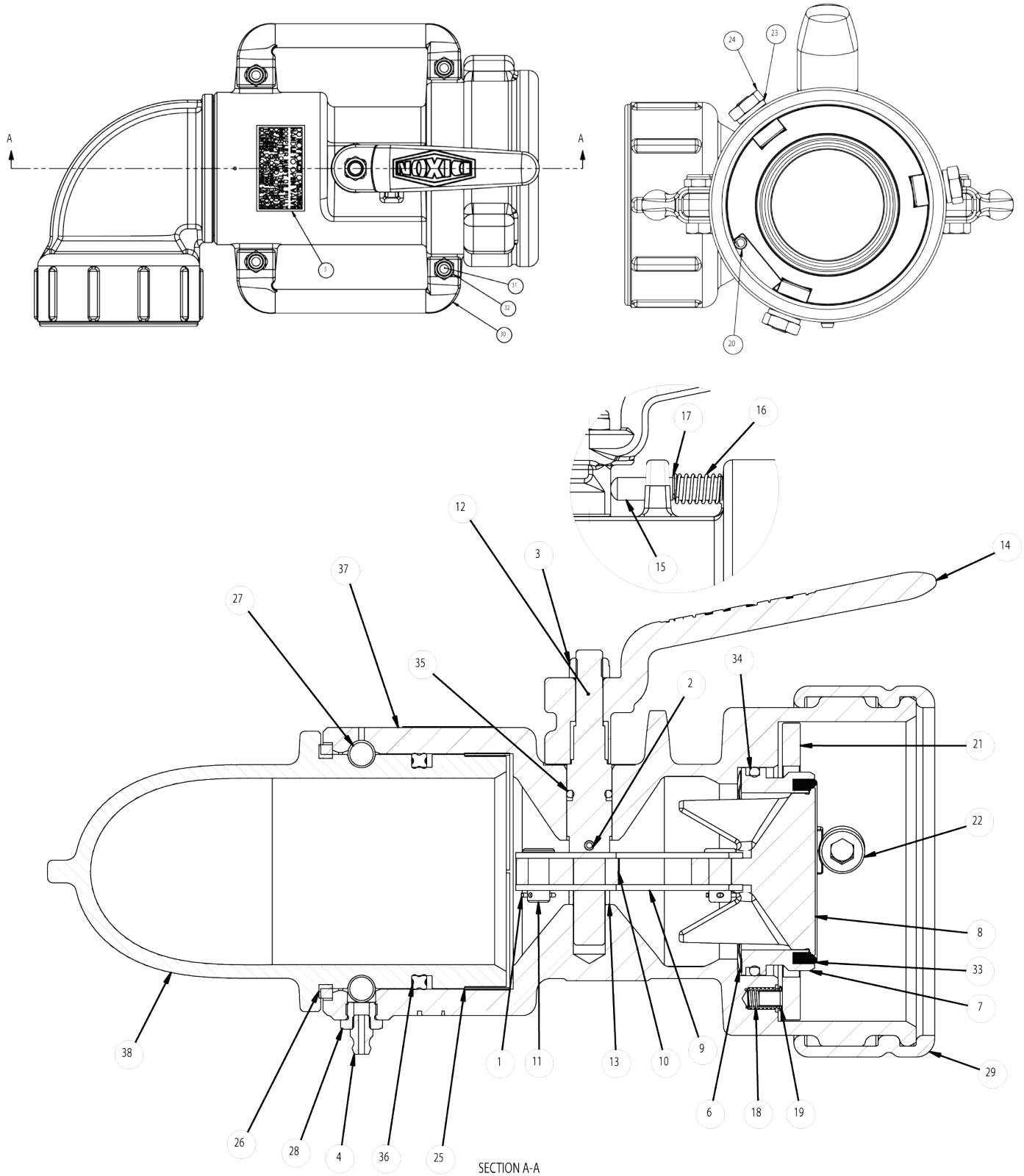
2" Anodized Aluminum Coupler Bill of Materials BC6x-200

| Item # | Description | Part # | Qty |
|--------|-----------------------------------|---------|-----|
| 1 | lever shaft | 40138SS | 1 |
| 2 | lever shaft follower | 40139SS | 1 |
| 3 | lever | 40140SS | 1 |
| 4 | poppet link arm | 40141SS | 1 |
| 5 | bent link | 40142SS | 2 |
| 6 | stem | 40143SS | 1 |
| 7 | interlocking pin | 40144SS | 1 |
| 8 | lock ring | 40145SS | 1 |
| 9 | nose piece | 40146HC | 1 |
| 10 | poppet | 40147CA | 1 |
| 11 | coiled pin | 40148SS | 1 |
| 12 | bayonet stud | 40149SS | 3 |
| 13A | nose seal Buna (for BC61-200) | 40150BN | 1 |
| 13B | nose seal FKM (for BC62-200) | 40150VI | 1 |
| 14 | jam nut | 40151SS | 3 |
| 15 | spring pin | 40152SS | 1 |
| 16 | coiled pin | 40153SS | 1 |
| 17 | rivet | 40154SS | 2 |
| 18 | lock nut | 40155SS | 1 |
| 19 | wave spring | 40159SS | 2 |
| 20 | wave spring washer | 40160SS | 1 |
| 21A | shaft O-ring Buna (for BC61-200) | 40162BN | 1 |
| 21B | shaft O-ring FKM (for BC62-200) | 40162VI | 1 |
| 22A | poppet O-ring Buna (for BC61-200) | 40163BN | 1 |
| 22B | poppet O-ring FKM (for BC62-200) | 40163VI | 1 |
| 23 | cotter pin | 40164SS | 1 |
| 24 | bumper ring | 40166VY | 1 |
| 25 | label | 40167AL | 1 |
| 26 | body | -- | 1 |

Dry Disconnects

BA/BS/BSS Series Bayonet Style Dry Disconnects

3" 90° and Straight Swivel Couplers



Dry Disconnects

BA/BS/BSS Series Bayonet Style Dry Disconnects

3" 90° and Straight Swivel Couplers

The 90° swivel coupler (BS series) is illustrated on page 4.

The straight swivel coupler (BSS series) uses the same components.

3" swivel aluminum coupler

Bill of Materials

BS6x-300 and BSS6x-300

| Item # | Description | Part # | Qty |
|--------|-----------------------|---------|-----|
| 1 | cotter pin | 40088SS | 2 |
| 2 | spring pin | 40152SS | 1 |
| 3 | lock nut | 40155SS | 1 |
| 4 | grease fitting | 40158ST | 1 |
| 5 | label | 40167AL | 1 |
| 6 | wave spring | 40246SS | 1 |
| 7 | nose piece | 40247HC | 1 |
| 8 | poppet | 40248CA | 1 |
| 9 | bent link | 40249SS | 2 |
| 10 | drive link | 40250SS | 1 |
| 11 | clevis pin | 40251SS | 2 |
| 12 | stem | 40252SS | 1 |
| 13 | stem spacer | 40253AL | 1 |
| 14 | lever (handle) | 40254SS | 1 |
| 15 | interlock pin | 40255SS | 1 |
| 16 | compression spring | 40256SS | 1 |
| 17 | retaining ring | 40257ST | 1 |
| 18 | compression spring | 40258SS | 3 |
| 19 | eyelet | 40259BR | 3 |
| 20 | spring pin | 40260SS | 1 |
| 21 | lock ring | 40261SS | 1 |
| 22 | bayonet stud | 40262SS | 3 |
| 23 | lock washer | 40263SS | 3 |
| 24 | nut | 40264SS | 3 |
| 25 | bearing strip | 40265NY | 1 |
| 26 | dust seal | 40266FL | 1 |
| 27 | ball bearings | 40267SS | 27 |
| 28 | ball plug | 40268BR | 1 |
| 29 | bumper ring | 40269VY | 1 |
| 30 | grip handle | 40270SS | 2 |
| 31 | bolt | 40271SS | 4 |
| 32 | lock nut | 40272SS | 4 |
| 33A | Buna nose seal | 40273BN | 1 |
| 33B | FKM nose seal | 40273VI | 1 |
| 34A | Buna nose body O-ring | 40274BN | 1 |
| 34B | FKM nose body O-ring | 40274VI | 2 |
| 35A | Buna stem O-ring | 40275BN | 1 |
| 35B | FKM stem O-ring | 40275VI | 1 |
| 36A | Buna quad ring | 40276BN | 1 |
| 36B | FKM quad ring | 40276VI | 1 |
| 37 | main body | --- | 1 |
| 38 | swivel body | --- | 1 |

Repair Kits

| Part # | Description | Includes Item # |
|--------------------|--|-----------------------------|
| BS61-300RK1 | seal repair kit, Buna nose seal, spring pin, Buna swivel O-rings, Buna stem O-ring, Buna nose body O-ring, cotter pin, bearing strip and bumper ring | 1, 2, 25, 29, 33A, 34A, 35A |
| BS62-300RK1 | seal repair kit, FKM nose seal, spring pin, FKM swivel O-rings, FKM stem O-ring, FKM nose body O-ring, cotter pin, bearing strip and bumper ring | 1, 2, 25, 29, 33B, 34B, 35B |
| BS61-300RK2 | swivel seal repair kit, Buna swivel O-rings and bearing strip | 25, 26, 36A |
| BS62-300RK2 | swivel seal repair kit, FKM swivel O-rings and bearing strip | 25, 26, 36B |

Petroleum Replacement Parts